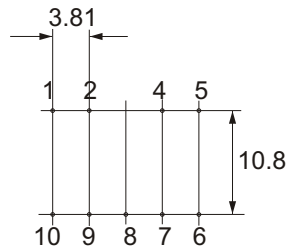
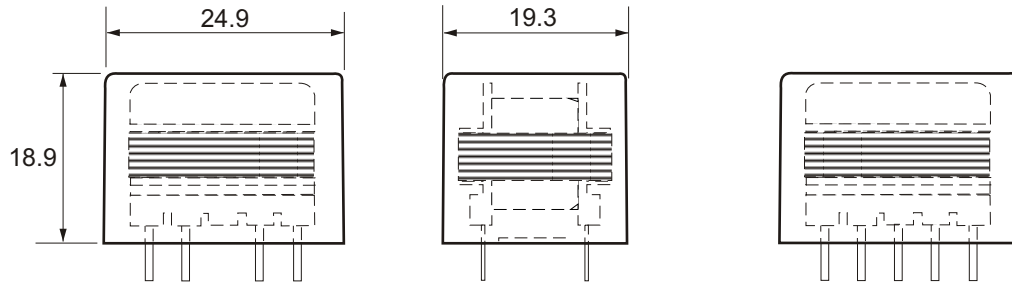
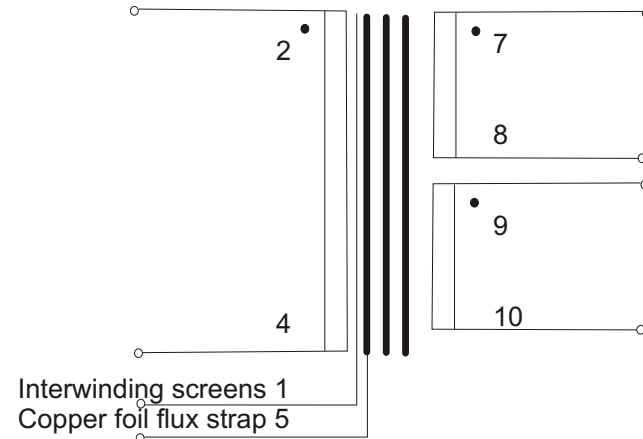
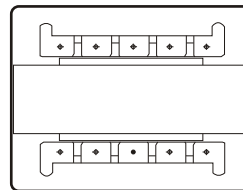


This device is intended for line level input stages (10k - 20k bridging)



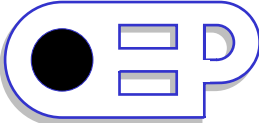
Pin view



Turns ratio	1: 0.50 + 0.50		
Weight	45g		
Optimum secondary load (parallel)	100k//2n7 series 2k70		
	Min.	Typ.	Max.
Primary DC resistance (pins 4 - 2)		1k8	
Secondary 1 DC resistance (pins 7 - 8)		715	
Secondary 2 DC resistance (pins 9 - 10)		1k1	
LF -3dB point *		5Hz	10Hz
HF -3dB point *	80kHz	100kHz	
40Hz max level (3% THD)	+22dBu	+23dBu	
THD (-10dBu, 1kHz)		0.003%	0.006%
CMRR (10kHz) *	60dB	85dB	
CMRR (50Hz) *	130dB		

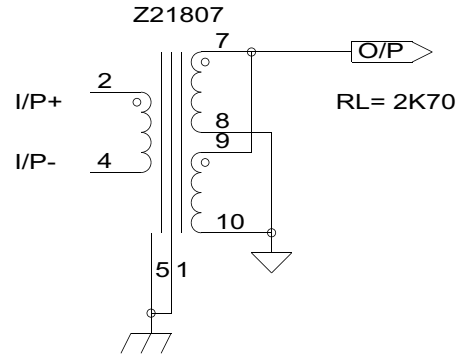
Notes:
 Pin 6 has no connection
 Pin 3 is removed for orientation.
 Pin diameter = 0.71mm
 Tolerance on all dimensions +/-0.2 unless stated otherwise

* With secondaries in parallel and optimum termination, screen and case (pins 1 and 5) grounded. Unused pins should be left floating with minimal pad size for best performance.

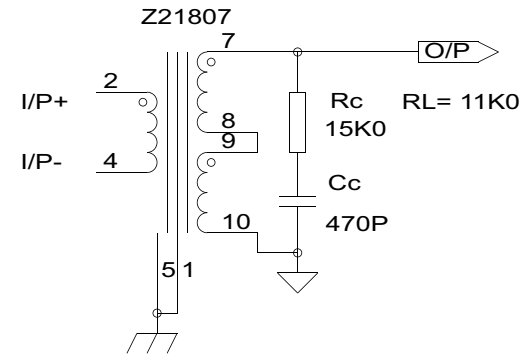
 Unit 5, Oxonian Park, Langford Locks, Kidlington, Oxfordshire. OX5 1FP Tel: (01865) 855085 Fax: (01865) 855075 Website: www.oep.co.uk	DESCRIPTION	ISSUE	DATE	DRAWN	CHECKED	DRAWING NUMBER
	Specification for Z21807C page 1 of 2	1	10/05/06	CS		Z21807C
		3	15/07/08	CS		
		4	07/06/10	CS		
		5	21/05/15	CS		
Scale: nts	All dimensions in mm unless stated otherwise					

LOW IMPEDANCE LOAD

1:0.5 (-6dB) CONNECTION
INSERTION LOSSN -2.8dB

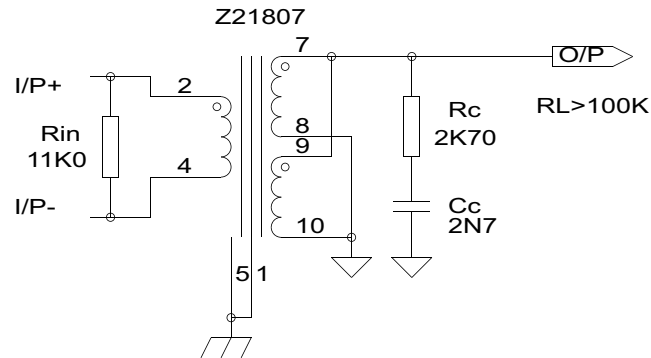


1:1 CONNECTION
INSERTION LOSS -3.5dB

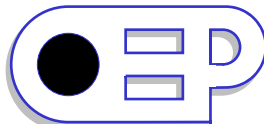
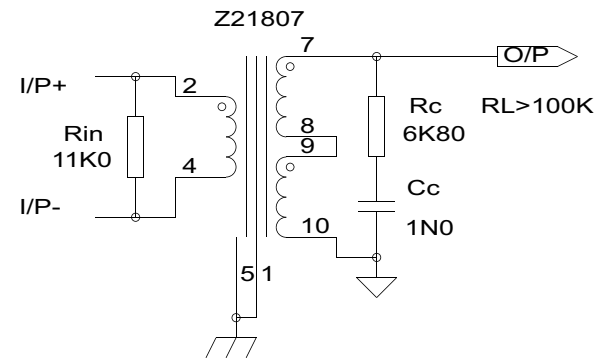


HIGH IMPEDANCE LOAD
INSERTION LOSS <0.5dB

1:0.5 (-6dB) CONNECTION



1:1 CONNECTION



Unit 5, Oxonian Park, Langford Locks,
Kidlington, Oxfordshire. OX5 1FP
Tel: (01865) 855085 Fax: (01865) 855075
Website: www.oep.co.uk

DESCRIPTION	ISSUE	DATE	DRAWN	CHECKED	DRAWING NUMBER
Z21807C applications page 2 of 2	1	10/05/06	CS		Z21807C
	3	15/07/08	CS		
	4	07/06/10	CS		
	5	21/05/15	CS		
	Scale: nts	All dimensions in mm unless stated otherwise			