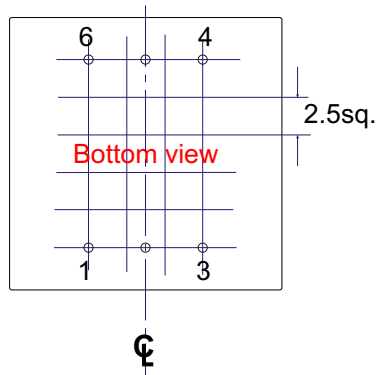
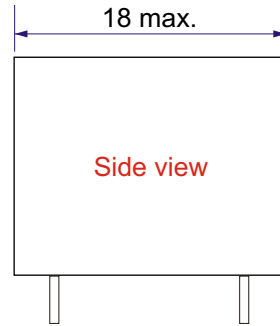
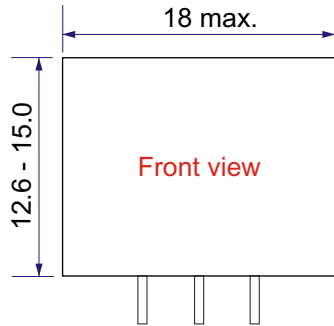
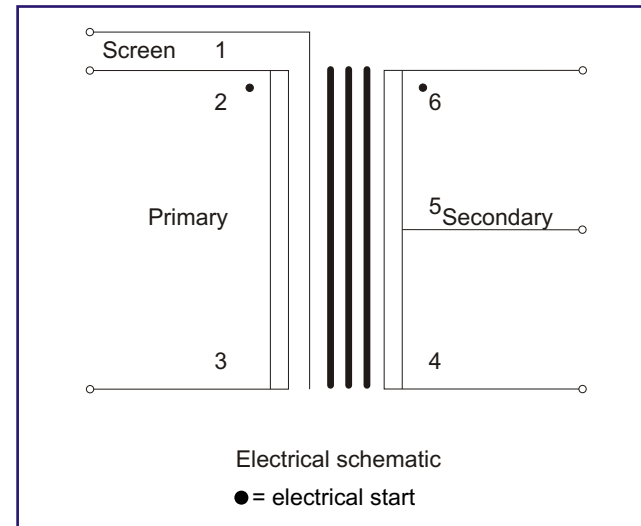


YY WW = date code



Tolerance on all hole positions +/-0.2mm  
 Pin diameter = 0.6mm  
 Recommended PCB hole size: 1.0mm



**Specification:**

Primary impedance: 600  
 Turns ratio: 1 to 1.41 C.T.

DC resistance ( +/-15%)

Primary (2 - 3): 117

Secondary (6 - 4): 262

Inductance @ 0.10V, 1kHz, series equivalent

Primary: 7.5H minimum

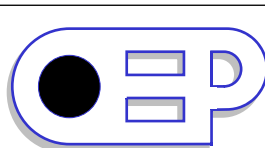
Primary leakage inductance @ 1kHz, 0.10V: 3.4mH (typical)

Interwinding capacitance @ 20kHz, 0.1V: 19pF (typical)

Hi-pot, primary to secondary: 1kVAC for 2 seconds

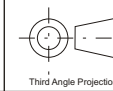
Operating temperature range: -20°C to +75°C

Storage temperature range: -40°C to +125°C



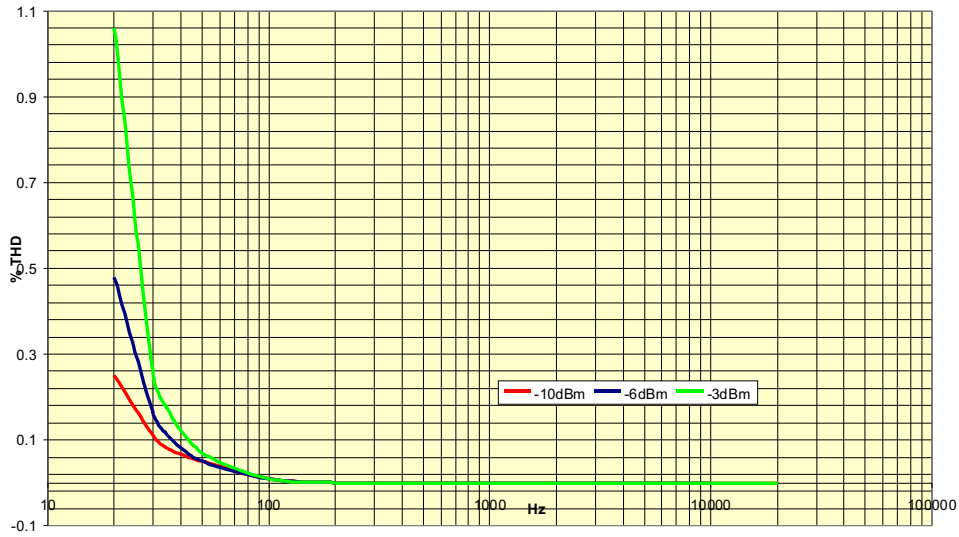
Unit 5, Oxonian Park, Langford Locks,  
 Kidlington, Oxfordshire. OX5 1FP  
 Tel: (01865) 855085 Fax: (01865) 855075  
 Website: [www.oep.co.uk](http://www.oep.co.uk)

DESCRIPTION	ISSUE	DATE	DRAWN	CHECKED	DRAWING NUMBER
1:1.41 C.T. 600 audio transformer with interwinding screen page 1 of 2	1	11/09/13	CS		<b>Z1687E</b>
	2	04/11/13	CS		
Scale: nts					

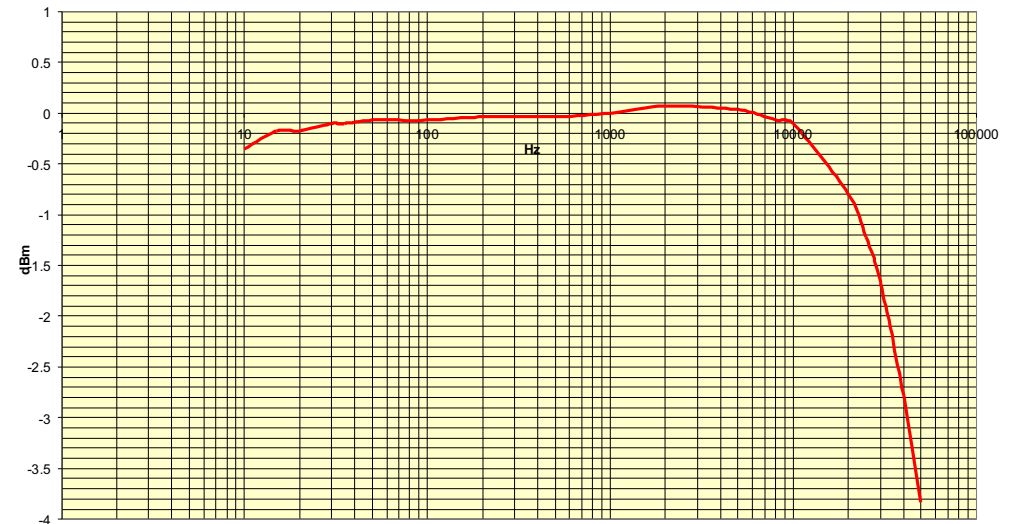


All dimensions in mm unless stated otherwise

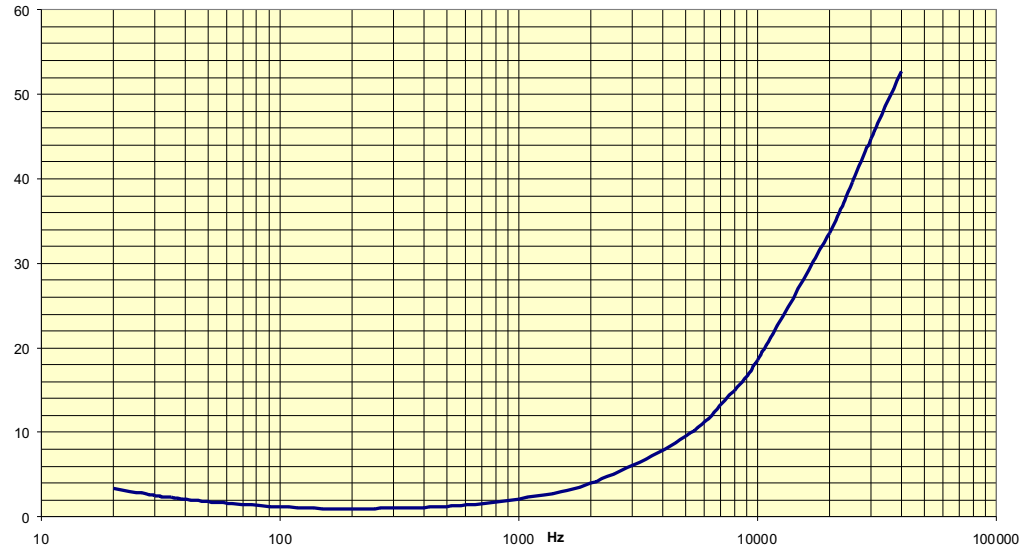
Distortion: secondary loaded with 1200R



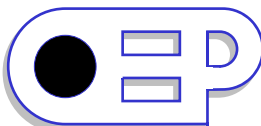
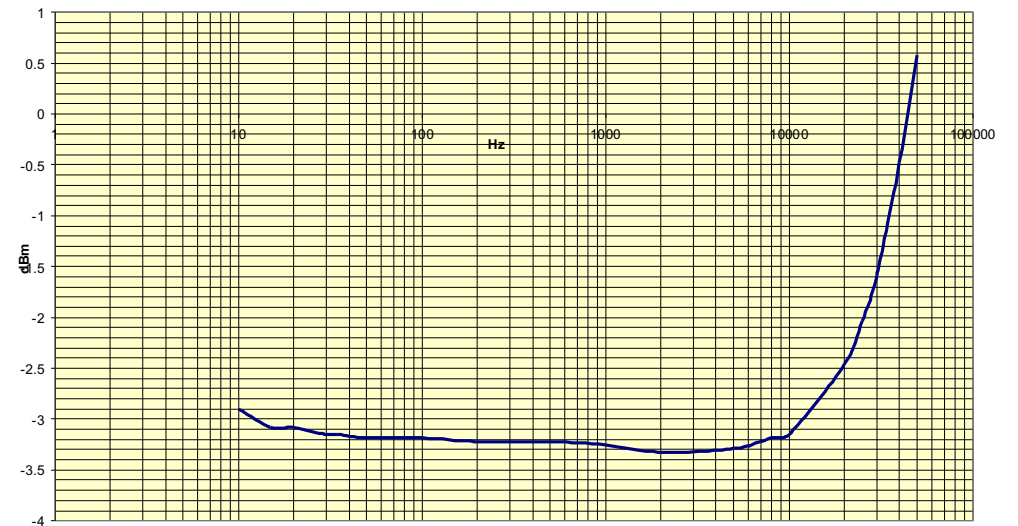
Frequency response, source: -10dBm, secondary loaded with 1200R



Variation of phase with frequency: level -10dBm, secondary loaded with 727R



Insertion Loss, source -10dBm, secondary loaded with 1200R



Unit 5, Oxonian Park, Langford Locks,  
Kidlington, Oxfordshire. OX5 1FP  
Tel: (01865) 855085 Fax: (01865) 855075  
Website: [www.oep.co.uk](http://www.oep.co.uk)

DESCRIPTION	ISSUE	DATE	DRAWN	CHECKED	DRAWING NUMBER
1:1.41 C.T. 600 audio transformer with interwinding screen page 2 of 2	1	11/09/13	CS		<b>Z1687E</b>
	2	04/11/13	CS		
Scale: 2 to 1					
All dimensions in mm unless stated otherwise					