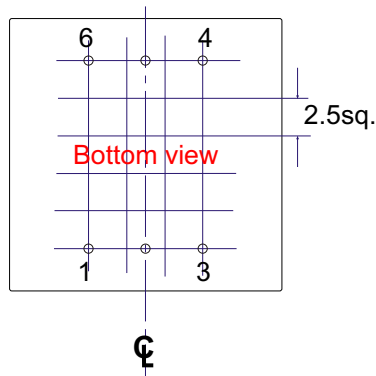
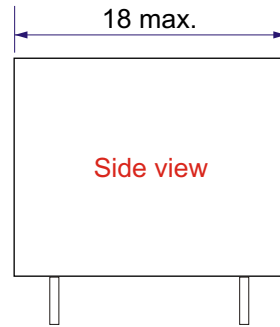
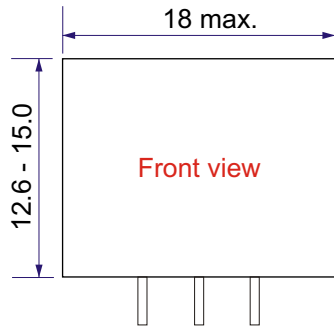
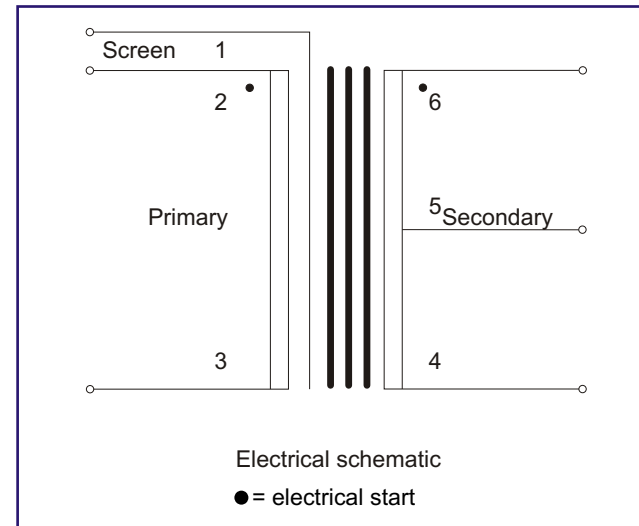




YY WW = date code



Tolerance on all hole positions +/-0.2mm
 Pin diameter = 0.6mm
 Recommended PCB hole size: 1.0mm



Specification:

Primary impedance: 150

Turns ratio: 1 to 1 C.T.

DC resistance (+/-15%)

Primary (2 - 3): 29.5

Secondary (6 - 4): 37.4

Inductance @ 0.10V, 1kHz, series equivalent

Primary: 1.9H minimum

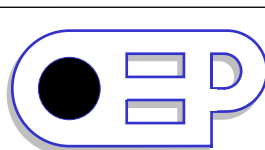
Primary leakage inductance @ 1kHz, 0.10V: 830uH (typical)

Interwinding capacitance @ 20kHz, 0.1V: 18pF (typical)

Hi-pot, primary to secondary: 1kVAC for 2 seconds

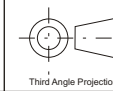
Operating temperature range: -20°C to +75°C

Storage temperature range: -40°C to +125°C

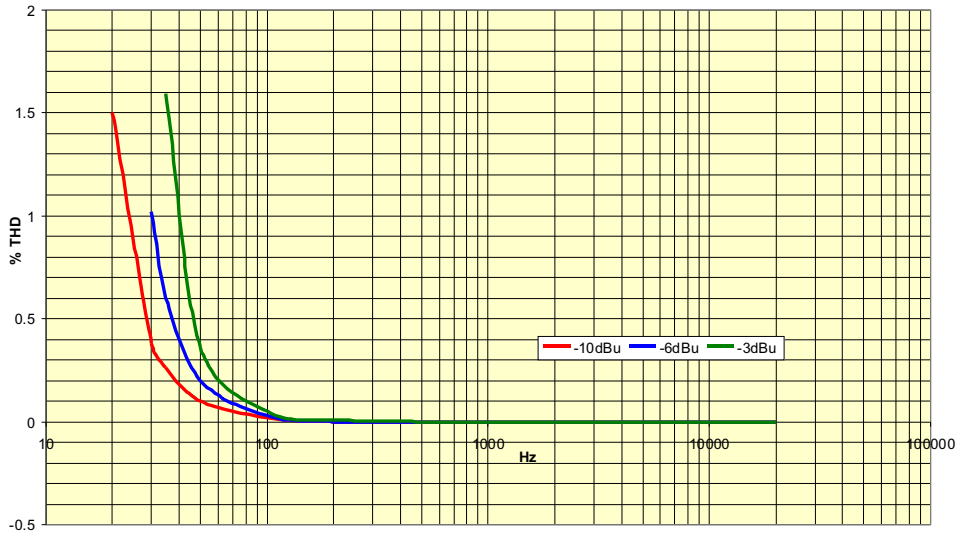


Unit 5, Oxonian Park, Langford Locks,
 Kidlington, Oxfordshire. OX5 1FP
 Tel: (01865) 855085 Fax: (01865) 855075
 Website: www.oep.co.uk

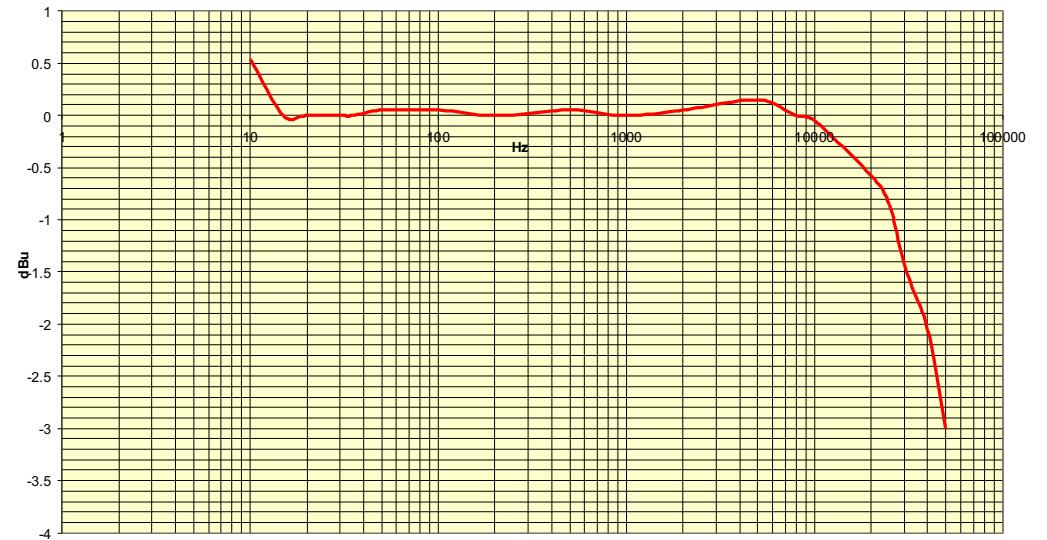
DESCRIPTION	ISSUE	DATE	DRAWN	CHECKED	DRAWING NUMBER
1:1 C.T. 150 audio transformer with interwinding screen page 1 of 2	1	11/09/13	CS		Z1680E
Scale: nts	All dimensions in mm unless stated otherwise				



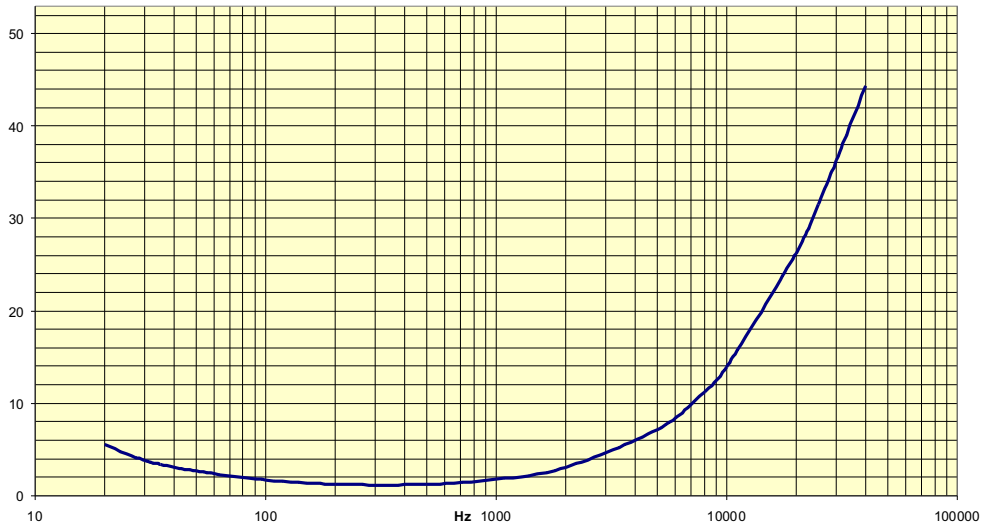
Distortion: secondary loaded with 150R



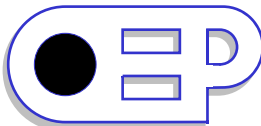
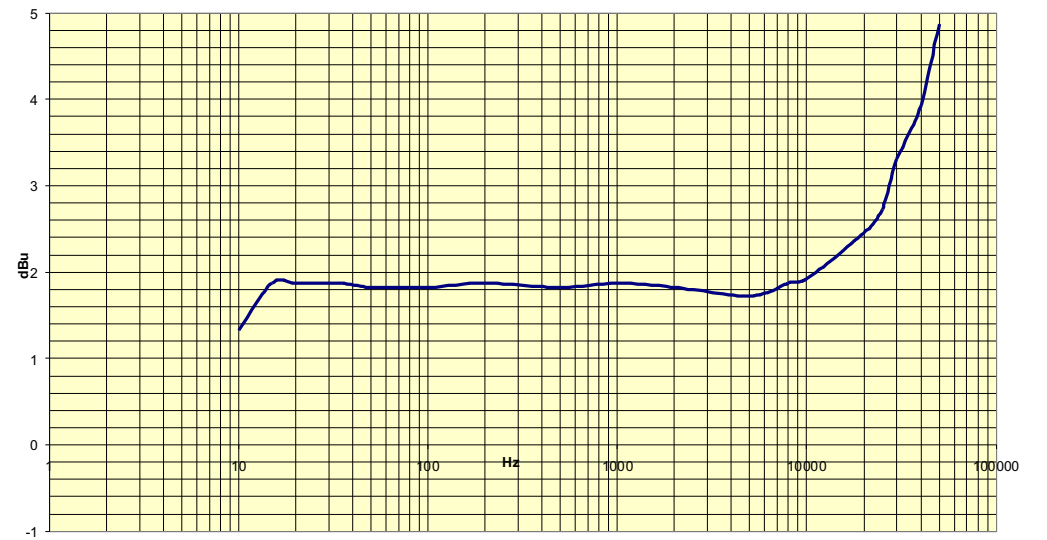
Frequency response, source: 50R, -10dBu, secondary loaded with 150R



Variation of phase with frequency: level -10dBu, secondary loaded with 150R



Insertion Loss, source: 50R, -10dBu, secondary loaded with 150R



Unit 5, Oxonian Park, Langford Locks,
Kidlington, Oxfordshire. OX5 1FP
Tel: (01865) 855085 Fax: (01865) 855075
Website: www.oep.co.uk

DESCRIPTION	ISSUE	DATE	DRAWN	CHECKED	DRAWING NUMBER
1:1 C.T. 150 audio transformer with interwinding screen page 2 of 2	1	11/09/13	CS		Z1680E

Scale: 2 to 1

All dimensions in mm unless stated otherwise