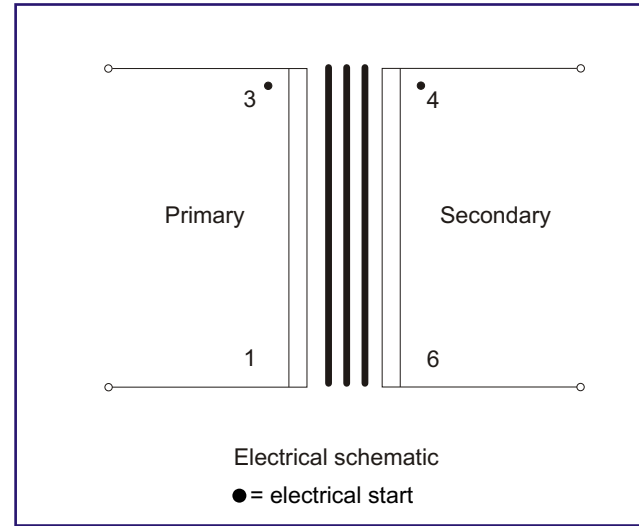
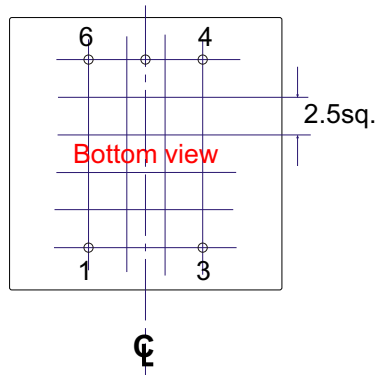
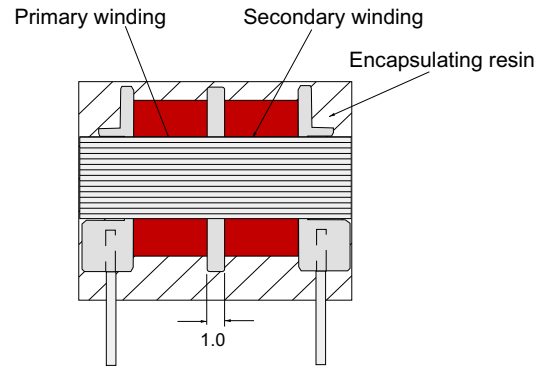
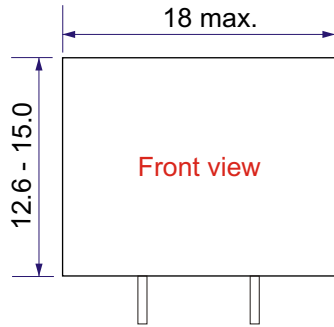


YY WW = date code



**Electrical Specification:**

Primary DC resistance: 68.4 ohms +/- 15%

Secondary DC resistance: 68.4 ohms +/- 15%

**Impedance matching:**

600 ohms to 600 ohms

Distortion: 0dB/600 ohms. f = 450Hz. 2nd harmonic -88dBm

Insertion loss: 1.5dB max. @ 2kHz

Saturation: 10Vrms, 65V peak @ 50Hz

Return loss -20dB, 200Hz - 4kHz

Inductance, measured at 0.27V, 100Hz, series equivalent

Primary: 3H min.

Secondary: 3H min.

Hi-pot, primary to secondary: 3.5kVrms

Storage temperature range: -25°C to + 85°C

Operating temperature range: 0°C to + 70°C

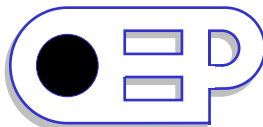
Approved to EN60950-1:2002

N.B. do not pass DC current through windings

Tolerance on all hole positions +/-0.2mm

Pin diameter = 0.6mm

Recommended PCB hole size: 1.0mm



Unit 5, Oxonian Park, Langford Locks,  
Kidlington, Oxfordshire. OX5 1FP  
Tel: (01865) 855085 Fax: (01865) 855075  
Website: [www.oep.co.uk](http://www.oep.co.uk)

DESCRIPTION	ISSUE	DATE	DRAWN	CHECKED	DRAWING NUMBER
1:1 600 line transformer page 1 of 3	1	30/03/04	CS		<b>Z1612E</b>
	2	21/06/05	CS		
	3	02/06/09	CS		
	4	30/04/15	CS		

Scale: 2 to 1

All dimensions in mm unless stated otherwise

