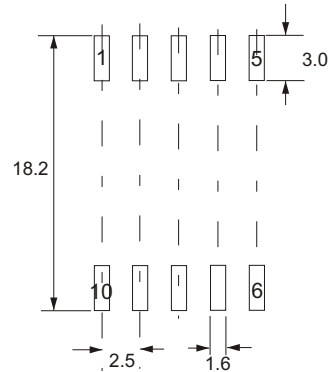
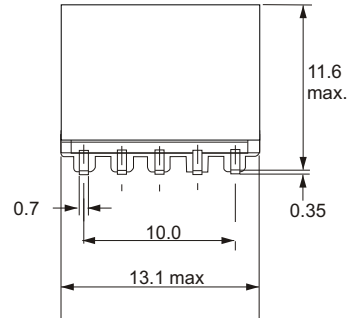
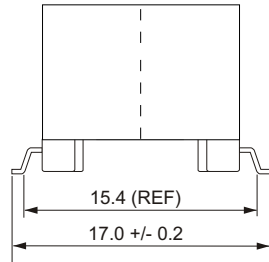
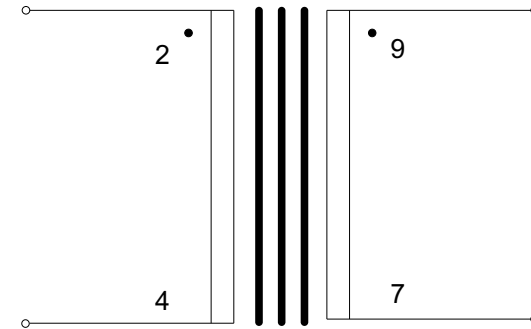


YYWW = date code



Pin view
Suggested PCB layout



Electrical schematic

Electrical specification:

Ratio: 1:1

DC resistance (+/-15%):

Primary: 0.35

Secondary: 0.48

Primary inductance: 2.5mH min. (@100kHz, 0.1V)

Primary leakage inductance: 4uH nom.

Interwinding capacitance: 20pF nom.

Isolation: winding to winding: 1.5kVrms for 2 seconds

Creepage and clearance: 1.4mm min. (basic insulation)

Operating temperature range: -40°C to +70°C

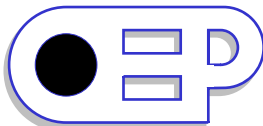
Storage temperature range: -40°C to +125°C

Materials:

Bobbin: Nylon 46, 30% glass reinforced, e.g. Stanyl TE250 F6 UL file number E47960 class H or phenolformaldehyde glass-reinforced to UL94V-0, UL file number E41429(M) class H or equivalent.

Winding wire: grade 2 solderable class F minimum to IEC BS 60317-21e.g.Nexans Magnesol or equivalent.

Tape: Polyester film, e.g. 3M's No. 56 or No. 1350: thickness 0.06mm or Jingjiang Yahua type CT-280, UL file number E165111



Unit 5, Oxonian Park, Langford Locks,
Kidlington, Oxfordshire. OX5 1FP
Tel: (01865) 855085 Fax: (01865) 855075
Website: www.oep.co.uk

DESCRIPTION	ISSUE	DATE	DRAWN	CHECKED	DRAWING NUMBER
Specification for PT4SM	1	15/08/07	CS		PT4SM
	5	07/06/10	CS		
	6	22/03/13	CS		
	7	23/02/15	CS		

Scale: 2 to 1

All dimensions in mm unless stated otherwise

