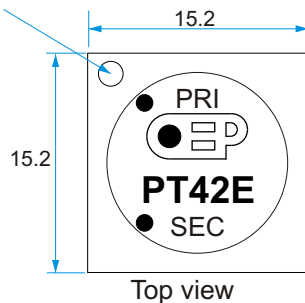
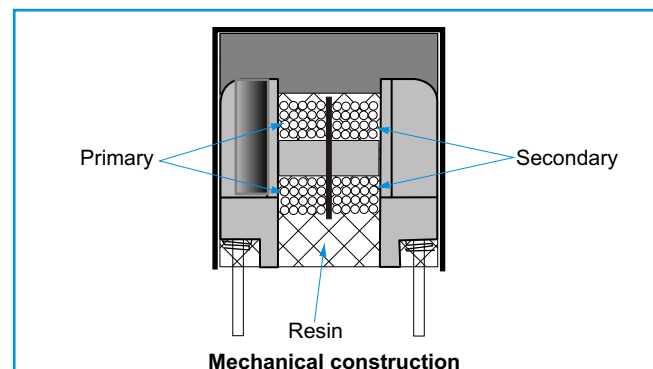
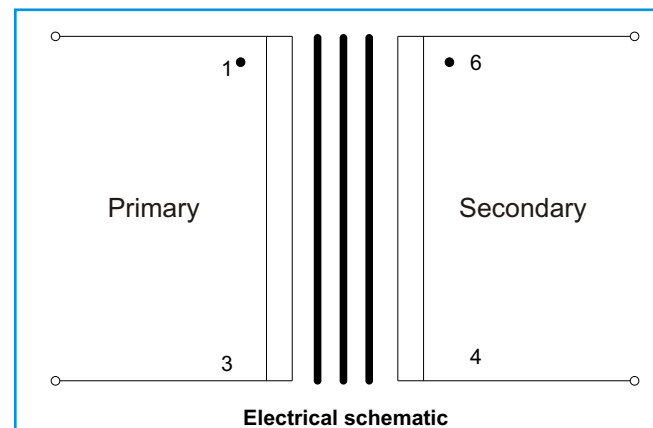
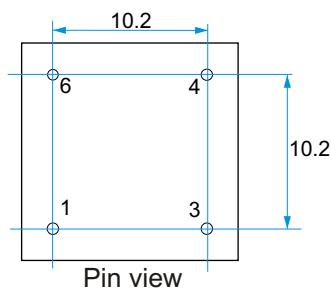
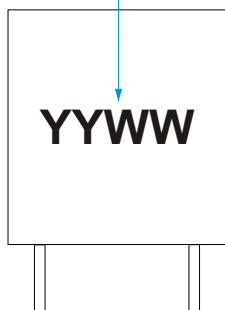
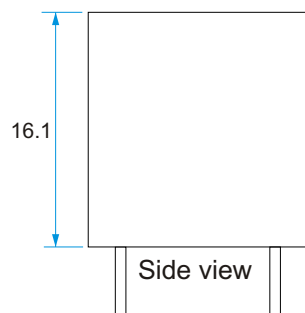


**Marking:**  
White ink printed on to top of box  
or black print on self adhesive label

Spot indicates pin 1



Date code stamped on side of box  
YYWW = year year week week  
CE mark is printed either on top face  
or side.



**Materials:**

Bobbin and potting box: FR530, UL file number E41938(M)  
or 1140A(C), UL file number E109088(M)

Resin: 2-part epoxy, type 3300A and 3300B  
UL file number: E218090

Winding wire: enamel coated copper wire  
UL file number: E174837

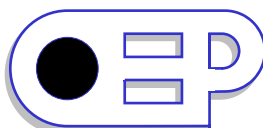
**Electrical specification:**

Turns ratio: 1 to 1  
DC resistance ( +/-15%): 0.8 per winding  
Lp (mH): 3 min. @ 1kHz  
Leakage inductance (uH): 85 @ 10kHz (secondary open circuit)  
Interwinding capacitance (1 - 100kHz): 6.5pF nom.

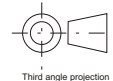
Proof voltage (primary to secondary): 5kV peak  
Voltage - time area: 200Vus  
Nominal operating voltage: 500V  
Maximum pulse current: 200mA (peak)  
Bandwidth: 3kHz - 1MHz

Operating temperature range: -40°C to +70°C  
Storage temperature range: -40°C to +125°C

Unit mass: 0.008kg  
Pin diameter: 0.7mm  
Tolerance on all dimensions: +/- 0.2mm unless stated otherwise



Unit 5, Oxonian Park, Langford Locks,  
Kidlington, Oxfordshire. OX5 1FP  
Tel: (01865) 855085 Fax: (01865) 855075  
Website: [www.oep.co.uk](http://www.oep.co.uk)

| DESCRIPTION             |   | ISSUE | DATE     | DRAWN | CHECKED | DRAWING NUMBER |
|-------------------------|---|-------|----------|-------|---------|----------------|
| Specification for PT42E |  | 1     | 25/02/05 | CS    |         | <b>PT42E</b>   |
|                         |   | 6     | 06/01/14 | CS    |         |                |
|                         |   | 7     | 23/04/14 | CS    |         |                |
|                         |   | 8     | 18/12/18 | CS    |         |                |

Scale: 2 to 1

All dimensions in mm unless stated otherwise