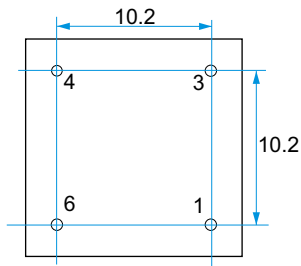
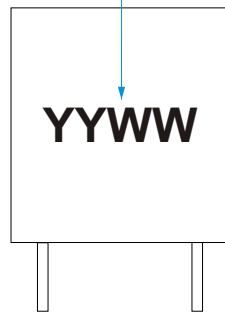
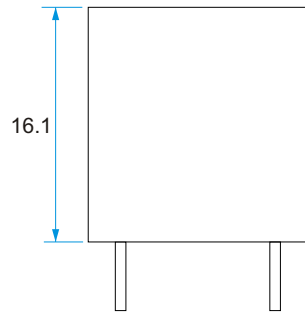
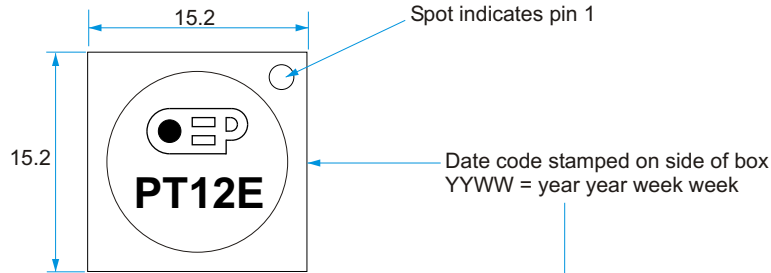




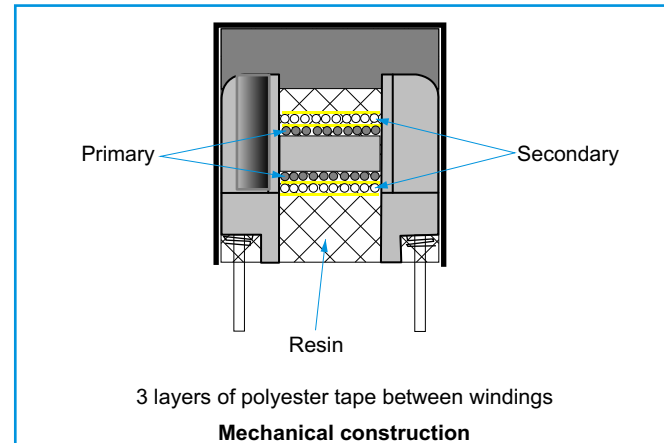
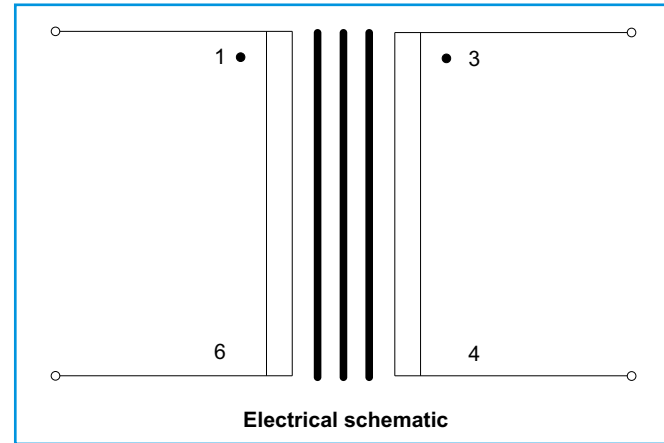
Marking:
White ink printed on to top of box
or black print on self adhesive label



Pin diameter: 0.7mm
Tolerance on all dimensions: +/- 0.2mm unless stated otherwise

Materials:

- Bobbin: FR530 UL file number E69578(M)
or 'Polyplastics Co. Ltd Material name:
1140 A(C) UL file no. E109088(M)
- Potting box: Material: FR530, UL file no. E69578(M)
or 'Polyplastics Co. Ltd Material name:
1140 A(C) UL file no. E109088(M)
- Resin: 2-part epoxy resin type 3300A and 3300B
UL file number 218090
- Winding wire: Enamel coated copper wire
UL file no.E174837
- Tape: 3M number 56 or JingJiang Yahua
UL file: E165111 or equivalent



Electrical specification:

- Turns ratio:3:1
- Primary inductance: 2.7mH min. @ 1kHz, 0.27V (series equivalent circuit)
- Primary DC resistance: 0.389 +/- 10%
- Secondary DC resistance: 0.169 +/- 10%
- Interwinding capacitance: 19pF (nom.)
- Primary leakage inductance: 33uH (nom.),
- Proof voltage (primary to secondary): 2kV rms
- Voltage - Time product: 200VuS
- Max. pulse current: 200mA (peak)
- Bandwidth: 3kHz - 1MHz

Operating temperature range: -40°C to +70°C
Storage temperature range: -40°C to +125°C



Unit 5, Oxonian Park, Langford Locks,
Kidlington, Oxfordshire. OX5 1FP
Tel: (01865) 855085 Fax: (01865) 855075
Website: www.oep.co.uk

DESCRIPTION	ISSUE	DATE	DRAWN	CHECKED	DRAWING NUMBER
Specification for PT12E	1	21/11/06	CS		PT12E
	2	14/01/13	CS		
	3	18/10/13	CS		

Third Angle Projection

Scale: 2 to 1 All dimensions in mm unless stated otherwise