

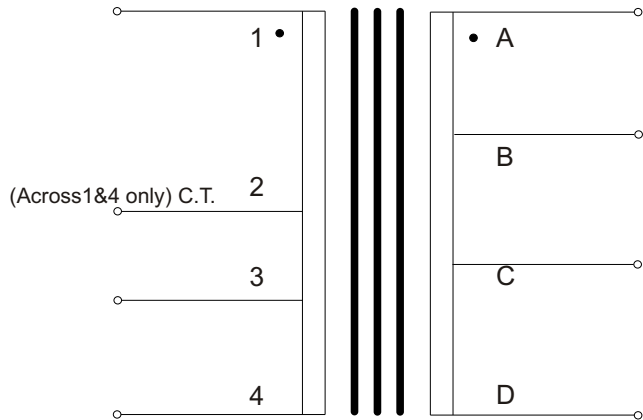
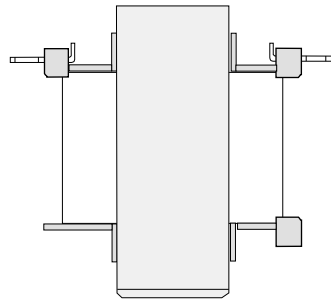
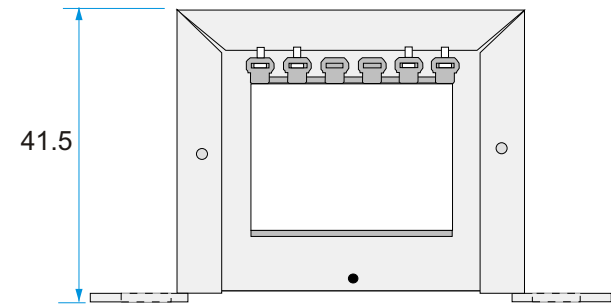
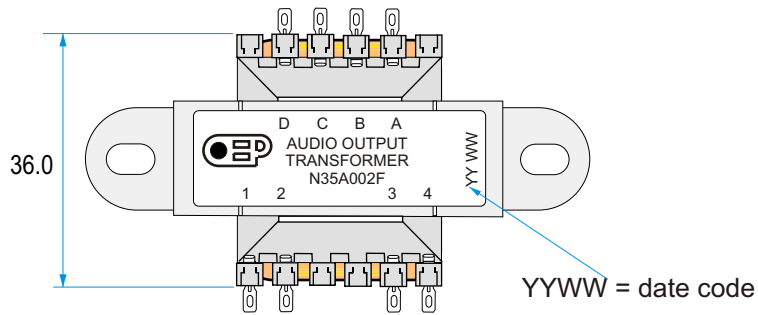
Suitable for matching high impedance outputs (amplifier) to speech coils

Electrical specification

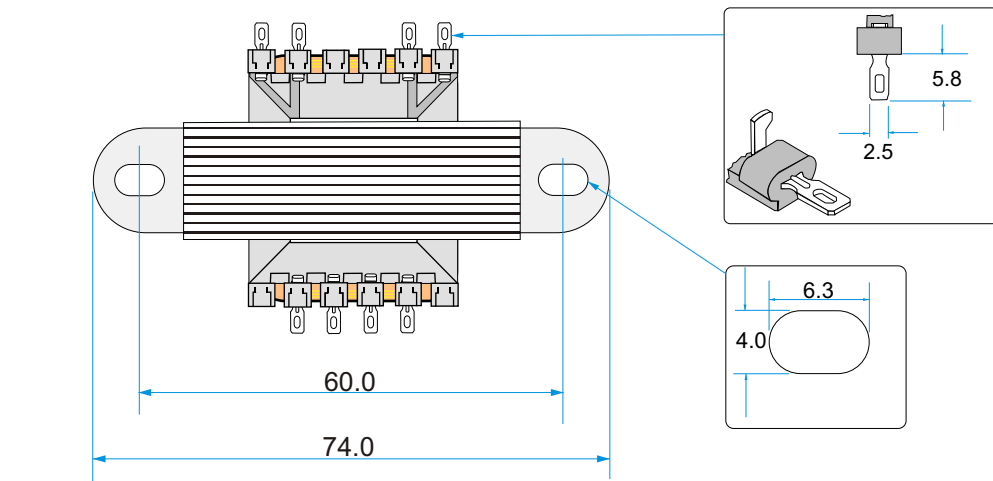
Maximum output power: 3.5W  
Maximum input current: 40mADC

Leakage inductance @ 1kHz, 0.1V:  
(1 - 4): 115mH typ. (Terminals A - D S/C)  
Interwinding capacitance @ 20kHz, 0.1V:  
(1 - 4) to (A - D): 300pF typ.

Isolation:  
Primary to Secondary: 2kVAC



Schematic



PRIMARY				SECONDARY			
Impedance (k )	Terminals	DCR ( ) +/-15%	OCL (H) (typical)	Impedance ( )	Terminals	DCR ( ) +/-15%	Graph
13 - 15	1 - 4	937	24	3 - 4	C - D		4
10 - 12	1 - 4			3 - 4	A - C	0.77	4
8 - 9	1 - 3	688	13	3 - 4	C - D	0.70	4
6 - 7	1 - 4			3 - 4	B - D	1.03	4
13 - 15	1 - 4			8	B - D		2
8 - 9	1 - 3			8	B - D		2
6 - 7	1 - 4			8	A - D	1.47	1
13 - 15	1 - 4			15	A - D		3
4 - 5	1 - 3			8	A - D		1
6 - 7	1 - 3			15	A - D		3
4 - 5	2 - 4	484	1.5	15	A - D		3

OCL=open circuit inductance measured at 1kHz, 0.1V

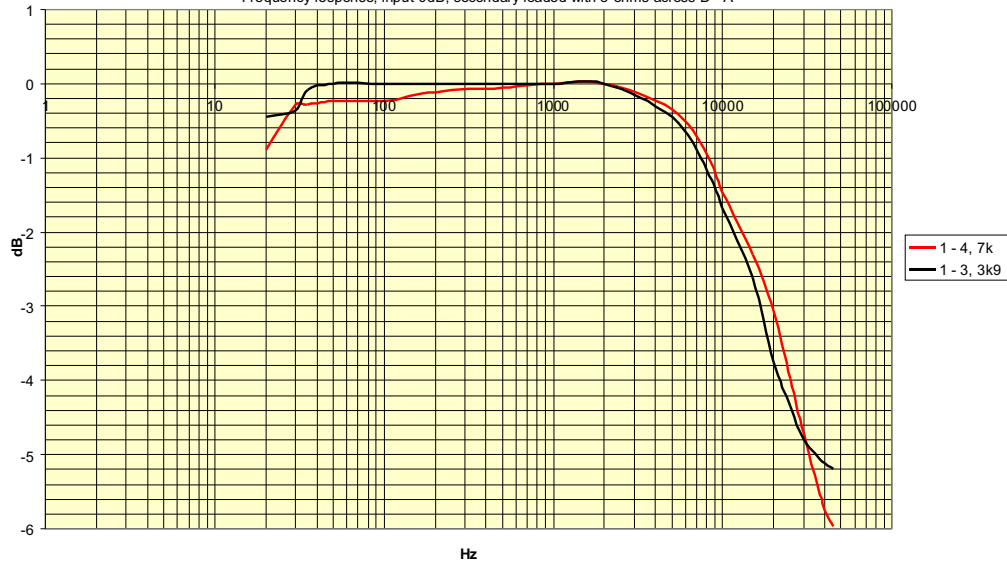


Unit 5, Oxonian Park, Langford Locks,  
Kidlington, Oxfordshire. OX5 1FP  
Tel: (01865) 855085 Fax: (01865) 855075  
Website: [www.oep.co.uk](http://www.oep.co.uk)

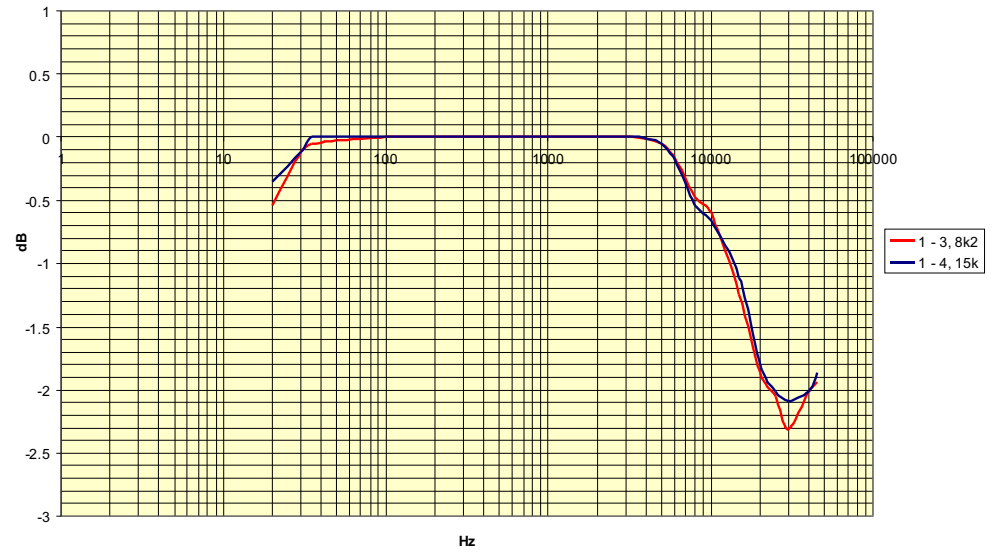
DESCRIPTION	ISSUE	DATE	DRAWN	CHECKED	DRAWING NUMBER
Specification for N35A002F page 1 of 2	1	28/07/99	CS		<b>N35A002F</b>
	5	19/09/13	CS		
	6	22/01/15	CS		
	7	01/04/19	CS		

Scale: nts All dimensions in mm unless stated otherwise

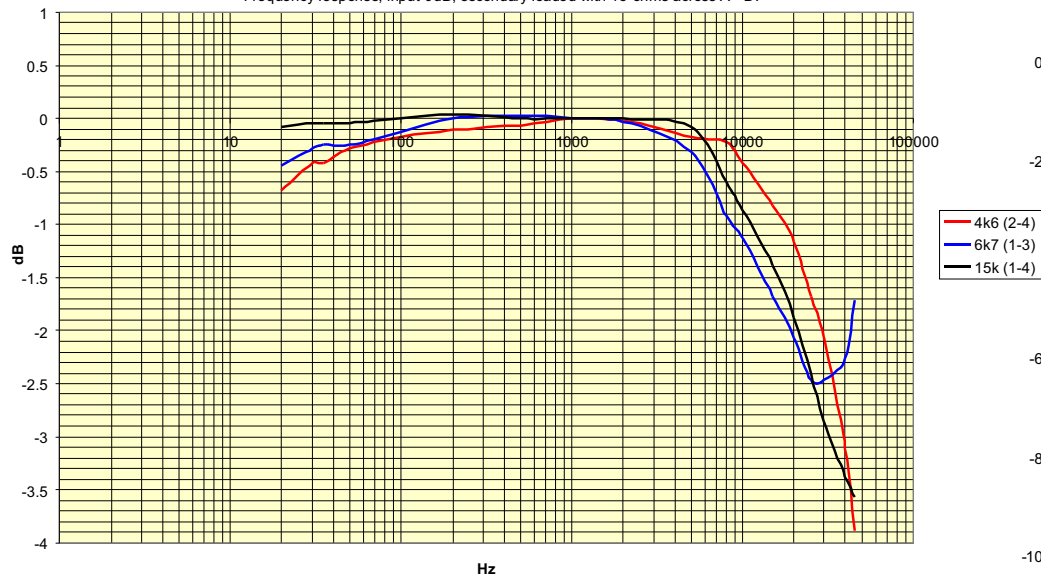
1. Frequency response, input 0dB, secondary loaded with 8 ohms across D - A



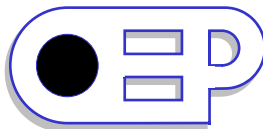
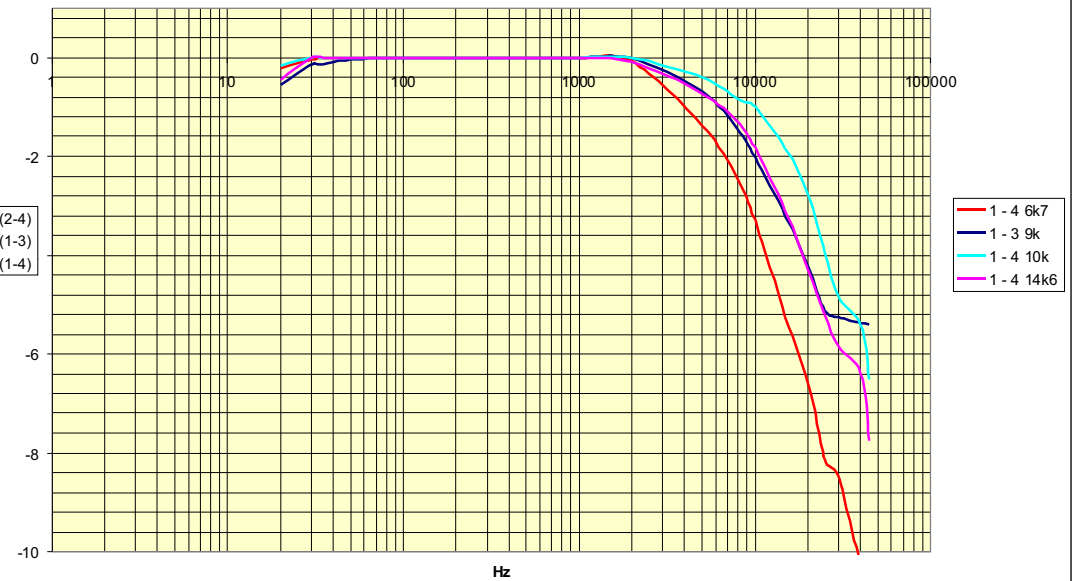
2. Frequency response, input 0dB, secondary loaded with 8 ohms across D - B



3. Frequency response, input 0dB, secondary loaded with 15 ohms across A - D.



4. Frequency response, input 0dB, secondary loaded with 4 ohms.



Unit 5, Oxonian Park, Langford Locks,  
Kidlington, Oxfordshire. OX5 1FP  
Tel: (01865) 855085 Fax: (01865) 855075  
Website: [www.oep.co.uk](http://www.oep.co.uk)

DESCRIPTION	ISSUE	DATE	DRAWN	CHECKED	DRAWING NUMBER
Specification for N35A002F page 2 of 2	1	28/07/99	CS		<b>N35A002F</b>
	5	19/09/13	CS		
	6	22/01/15	CS		
	7	01/04/19	CS		
Scale: nts	All dimensions in mm unless stated otherwise				