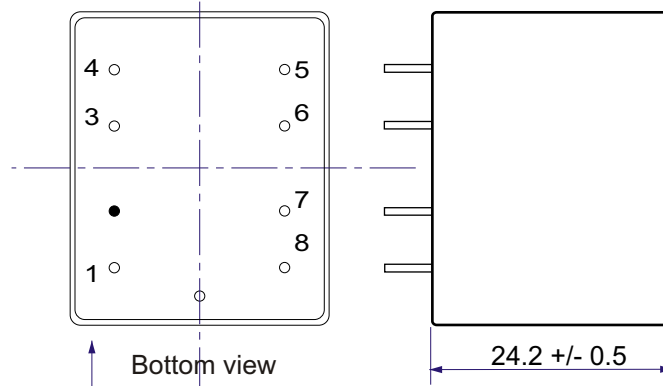
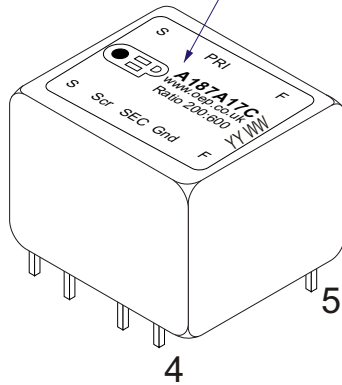
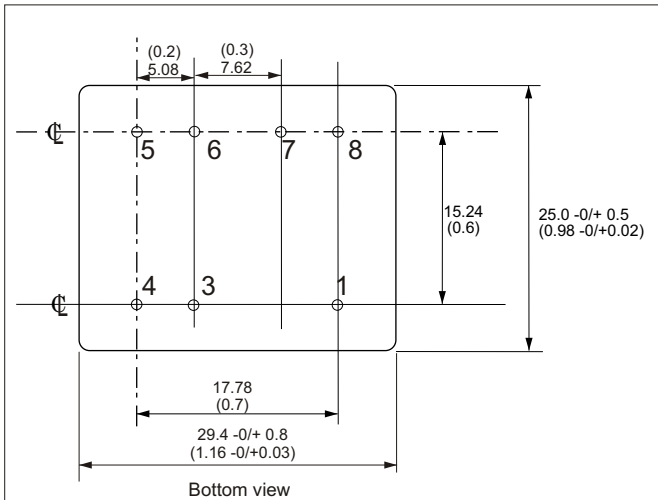
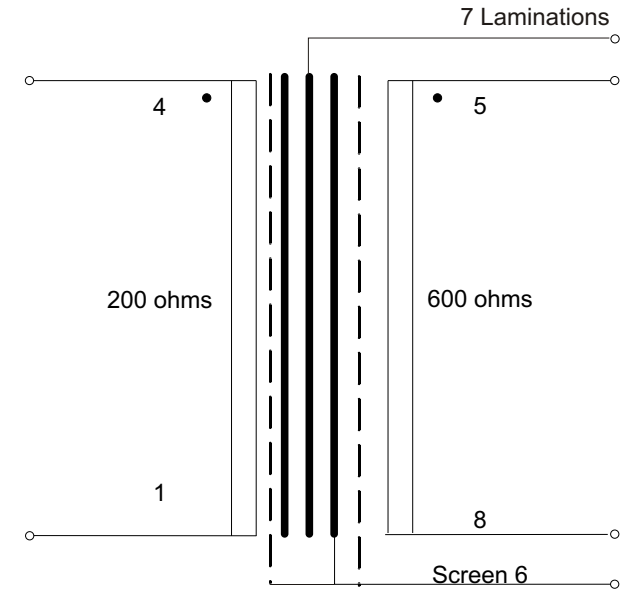




Label fitted to top of can
YY WW = date code
where YY=year and WW= week of manufacture)



Enclosure: Mu-metal screening can.



Tolerance on all dimensions in millimetres: +/- 0.1mm unless stated otherwise.
Inches shown in brackets.
Tolerance on dimensions in inches: +/- 0.005" unless stated otherwise.
Pin diameter: 0.7 (0.0275)

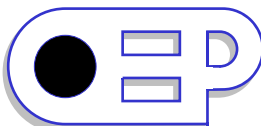
Electrical characteristics:

Winding ratio: 1:1.73
Primary impedance: 200
DC resistance (+/-15%):
Primary: 11.5
Secondary: 42
Primary inductance, @ 100Hz, 0.1V: 3H (typ)
1kHz, 0.1V: 1H (typ)

Primary leakage inductance @ 1kHz, 0.1V: 520uH
Interwinding capacitance @ 20kHz, 0.1V: 13pF (screens earthed)

Proof voltage: windings to screen: 500Vrms
primary to secondary: 500Vrms

Operating temperature range: 0 to +70°C.
N.B. Do not pass DC through windings.



Unit 5, Oxonian Park, Langford Locks,
Kidlington, Oxfordshire. OX5 1FP
Tel: (01865) 855085 Fax: (01865) 855075
Website: www.oep.co.uk

DESCRIPTION	ISSUE	DATE	DRAWN	CHECKED	DRAWING NUMBER
200:600 ohm microphone transformer	1	24/01/13	CS		A187A17C
	2	26/03/13	CS		
	3	03/04/13	CS		
Scale: nts	All dimensions in mm unless stated otherwise				